

FOCUS+1 A/M



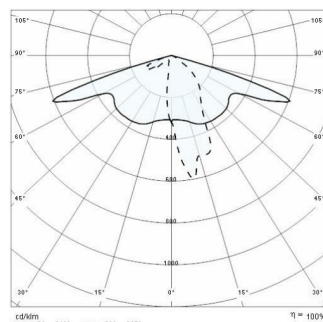
| | |
|----------------------------------|------------------------------------|
| Part number | 305098 |
| Lampholder: | LED |
| Light Source: | LED |
| Wattage: | 18 W |
| Finish: | AN-96 / Anthracite gray / Textured |
| Insulation class: | I |
| Degree of protection: | IP66 |
| IK-J-xxIP: | IK06 1J xx3 |
| CRI: | 70 |
| Kelvin: | 4000 |
| Power factor: | COSφ ≥ 0,9 |
| EEI: | A2 |
| Optic: | ASYMMETRIC MEDIUM REFLECTOR |
| Optic Beam: | 10° |
| Lightsource lumen output: | 1880 lm |
| Luminaire lumen output: | 1308 lm |
| L: | L70 |
| B: | B10 |
| Lifetime: | 60000 h |
| Ta MIN luminaire: | -20° |
| Ta MAX luminaire: | 40° |



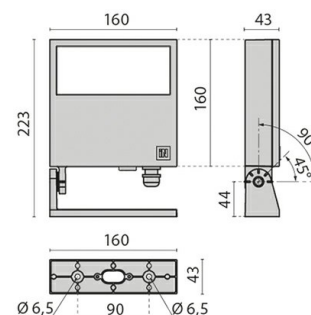
Description

- LED floodlight for indoor and outdoor lighting, comprising:
- Die-cast painted aluminium housing and trim
 - Adjustable mounting bracket made of die-cast aluminium, painted
 - Extra-clear flat tempered glass diffuser with internal screen printing
 - Asymmetrical optic
 - High power LEDs with next generation high intensity light beam
 - Silicone gasket
 - Stainless steel locking screws
 - Waterproof cable gland M16x1.5 for cables Ø 5- Ø 10 mm
 - Technopolymer peg available for anchoring to the ground
 - Photometric data measure according to UNI EN 13032-4 and IES LM-79-08

Photometric data



Technical drawings



OPTIONAL ACCESSORIES

FOCUS+ 1



700191
Ground spike